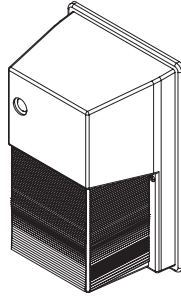


INSTALLATION INSTRUCTIONS

WMC-2C-50K-U

WMC-3C-50K-U

LED Wallpack Cube



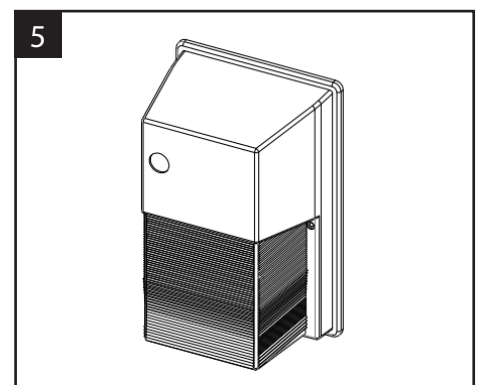
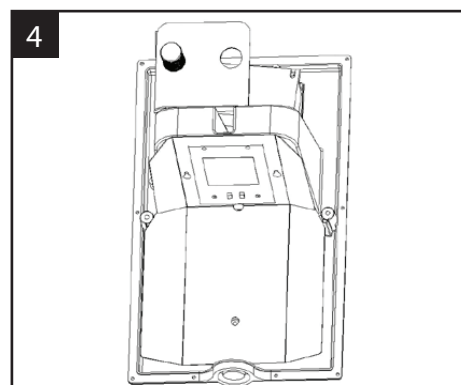
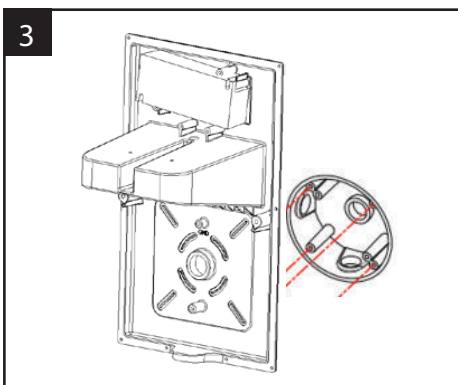
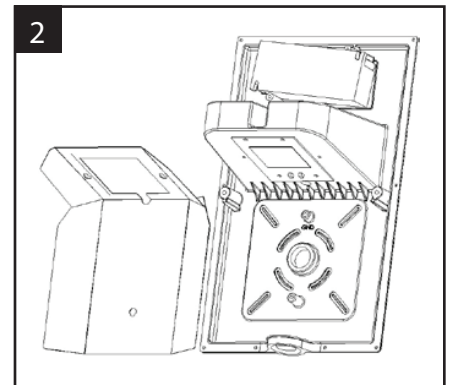
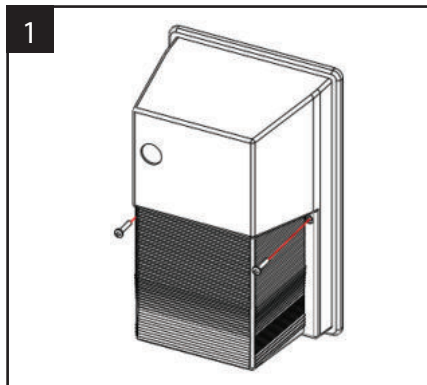
SAFETY PRECAUTION:

- CAUTION: This product uses an input 120-277VAC wide range driver and photocell.
 - WARNING: To avoid the risk of fire, explosion, or electric shock, this product should be installed, inspected, and maintained by a qualified electrician only, in accordance with all applicable electrical codes
 - WARNING: To avoid electric shock be certain electrical power is OFF before and during installation and maintenance.
 - WARNING: To avoid electric shock luminaire must be connected to a wiring system with an equipment-grounding conductor.
 - WARNING: Make sure the supply voltage is the same as the rated luminaire voltage.
 - WARNING: Do not operate in ambient temperatures above those indicated on the luminaire nameplate.
- SUITABLE FOR USE IN WET LOCATIONS
FOR SUPPLY CONNECTIONS USE WIRE RATED FOR AT LEAST 90°C.
AMBIENT TEMP: -20-+40°C

INSTALLATION:

ALWAYS TURN OFF THE POWER SUPPLY FROM MAIN CIRCUIT BREAKER FIRST!

1. Remove the two screws on both sides of the lamp shade, then take off the lamp shade. (See Fig. 1)
2. Remove the two screws as shown in the picture, take off the driver box. (See Fig. 2)
3. Attach the fixture back plate to the junction box. (See Fig. 3)
4. Reattach the driver box. (See Fig. 4)
5. Install shade. (See Fig. 5)



INSTALLATION (cont.):

WIRING DIAGRAMS

